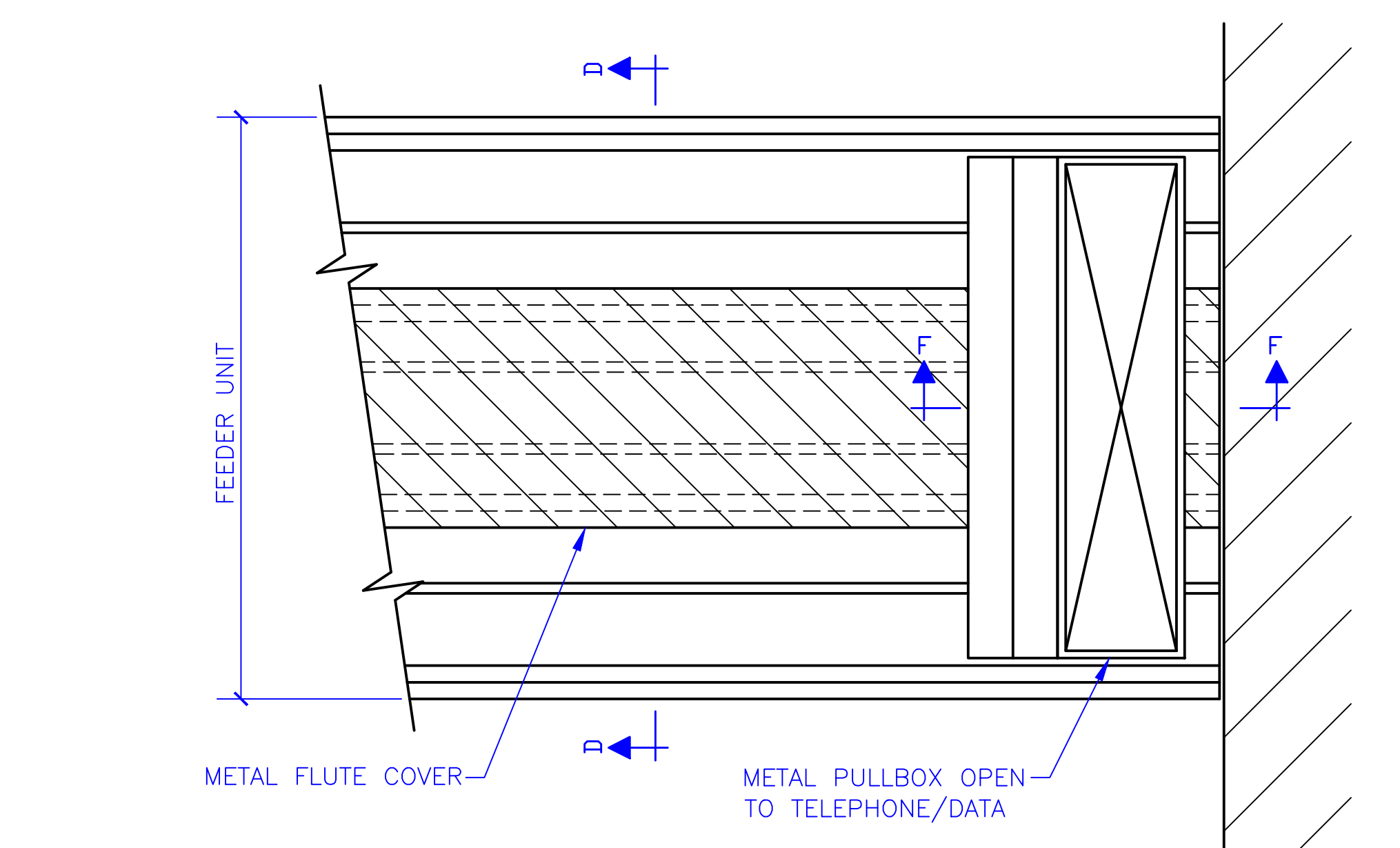
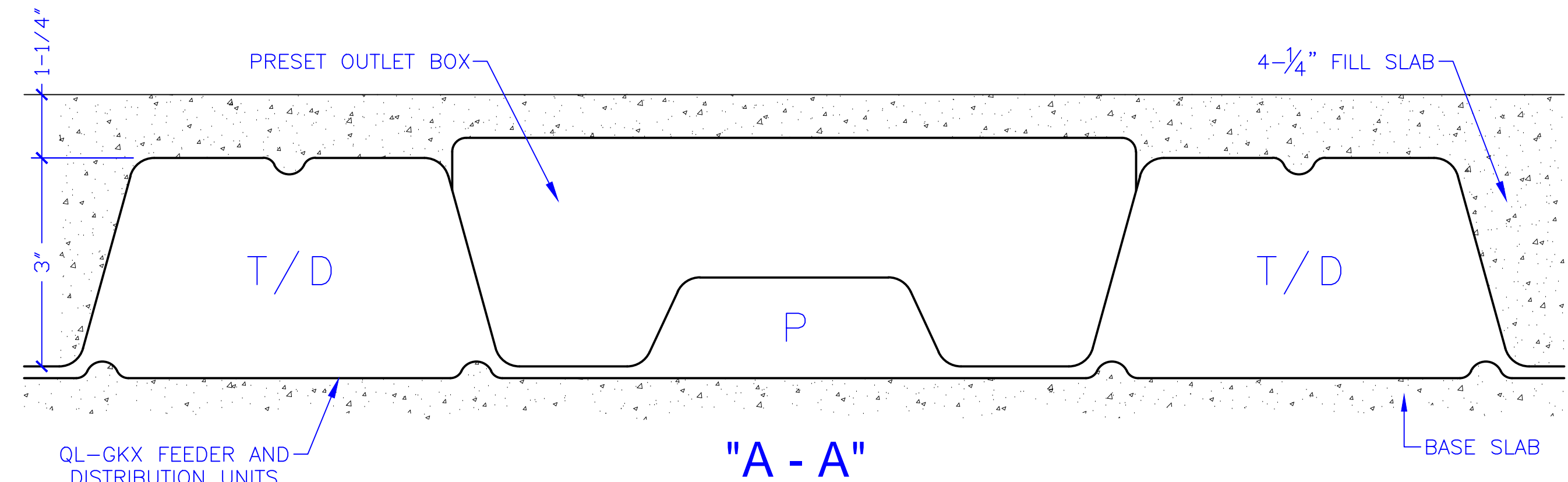


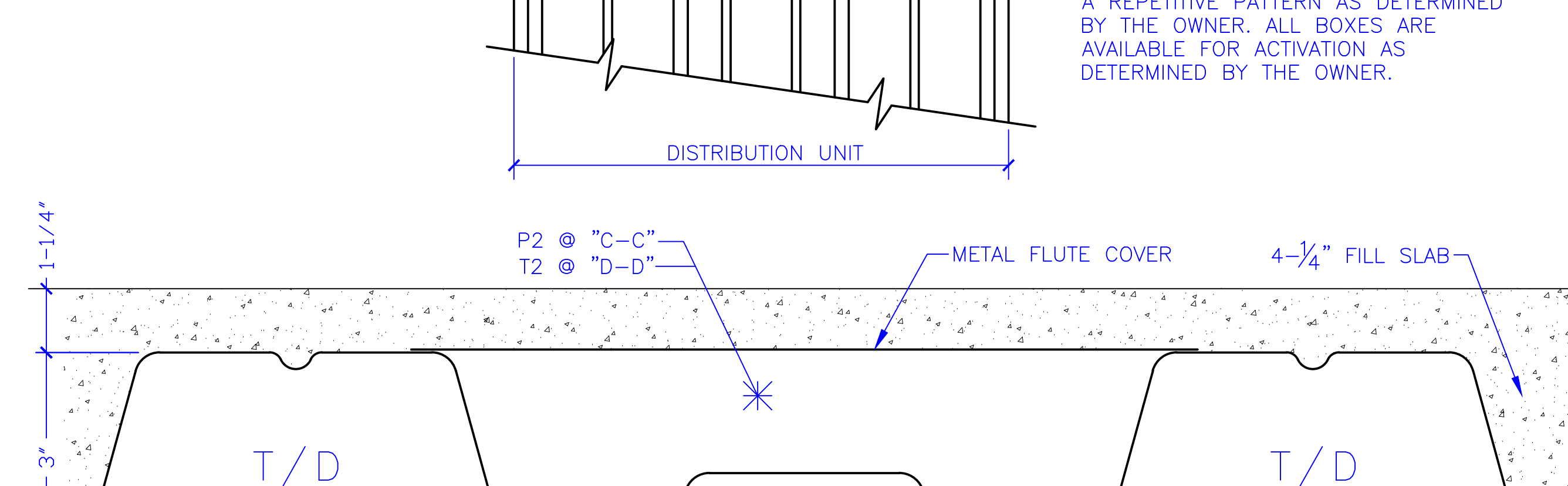
Power Closed Feed



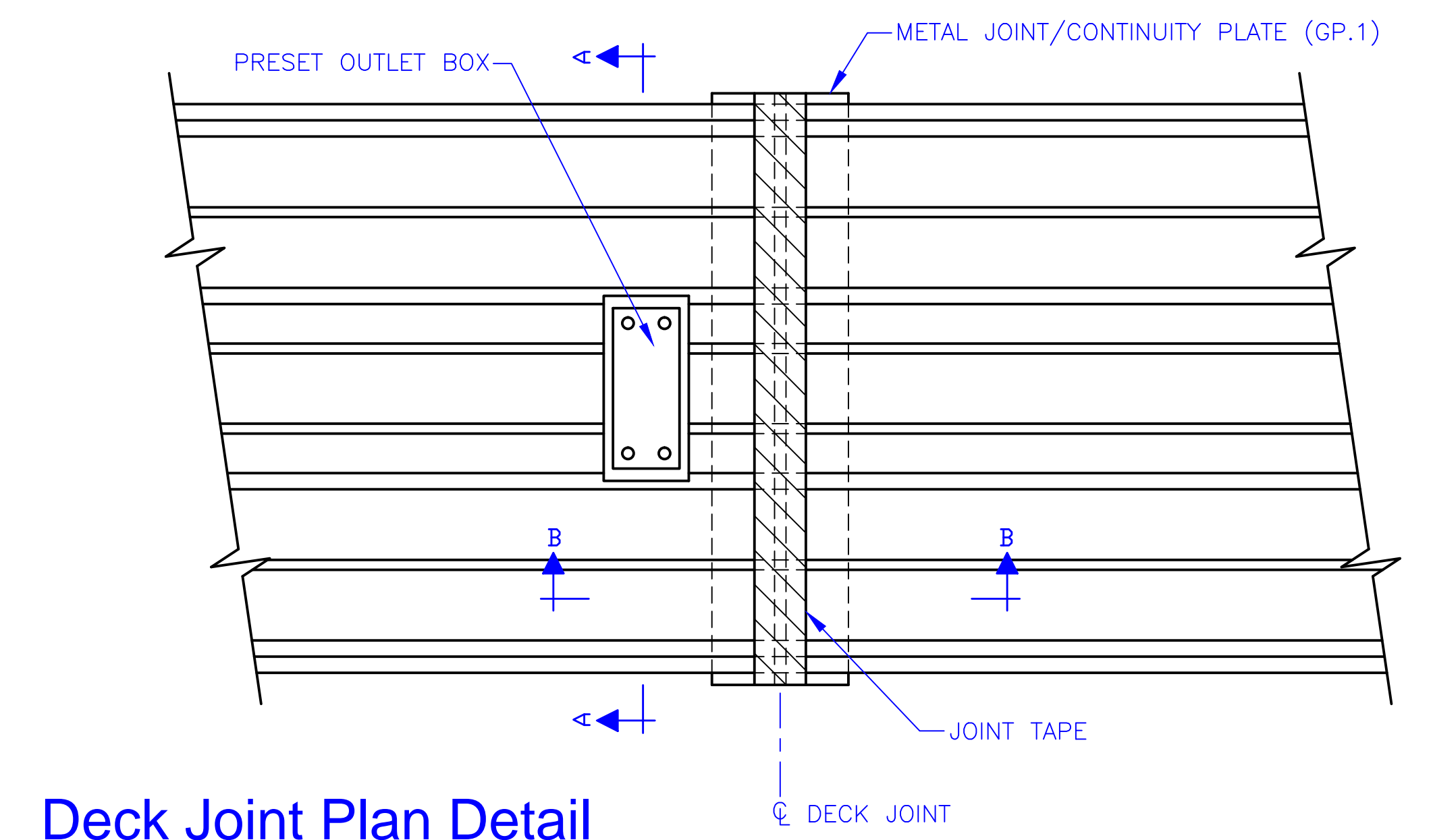
Telephone/Data Feed



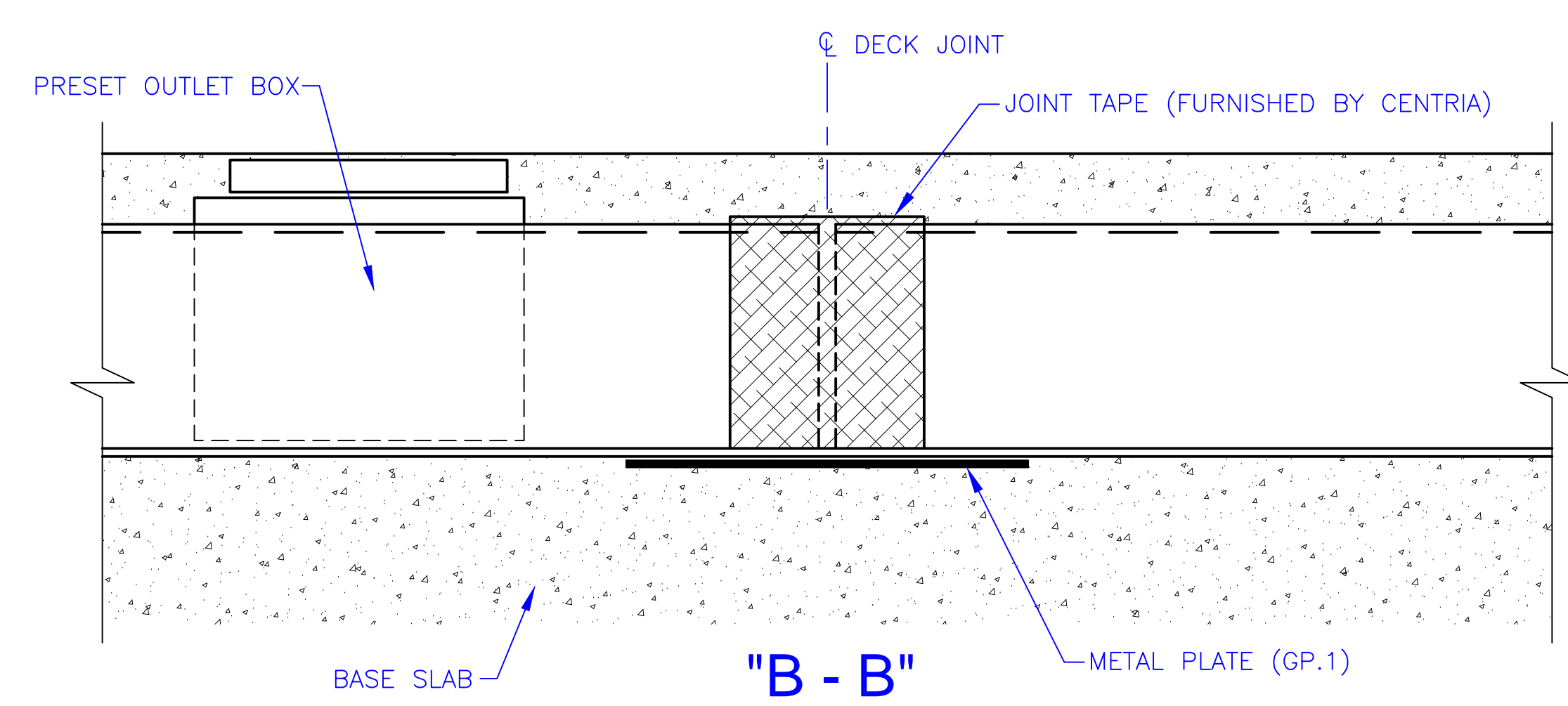
"A - A"
T/D Cell has 15.75 sq. in. capacity
P Cell has 5.26 sq. in. capacity



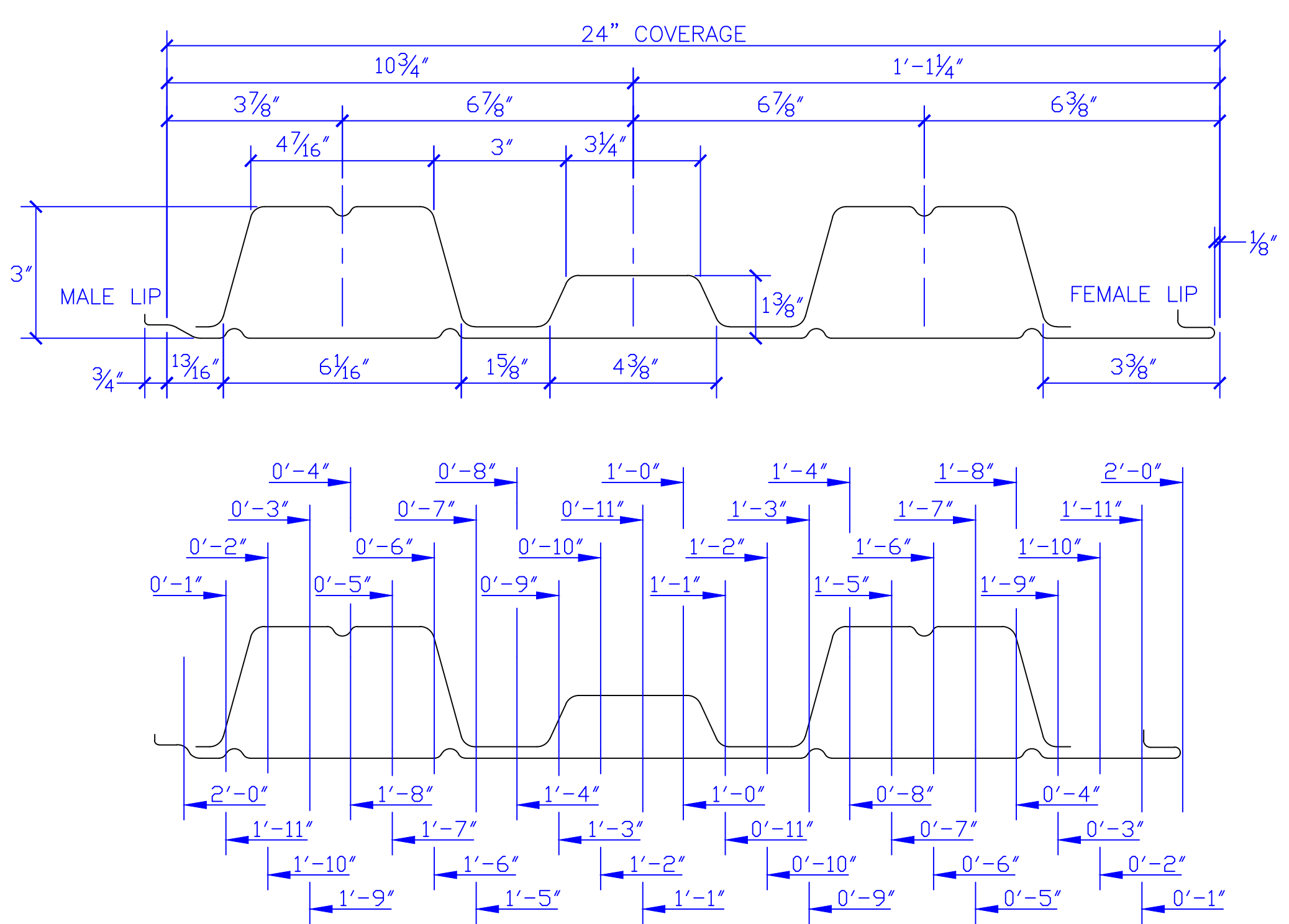
"C - C"
T/D Cell has 15.75 sq. in. capacity
P1 Cell has 5.26 sq. in. capacity
T2 & P2 Covered Flute has 20.14 sq. in. capacity



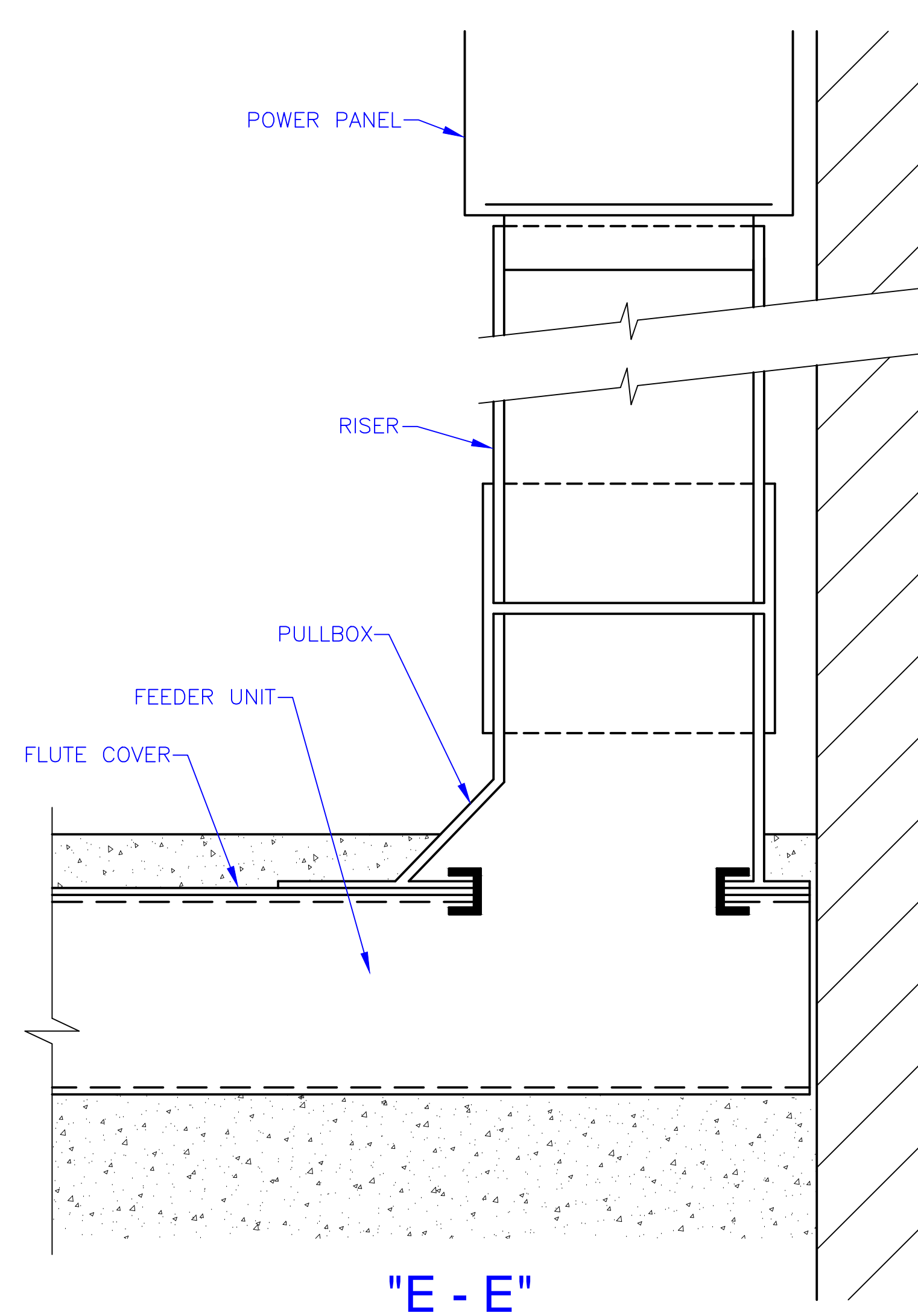
Deck Joint Plan Detail



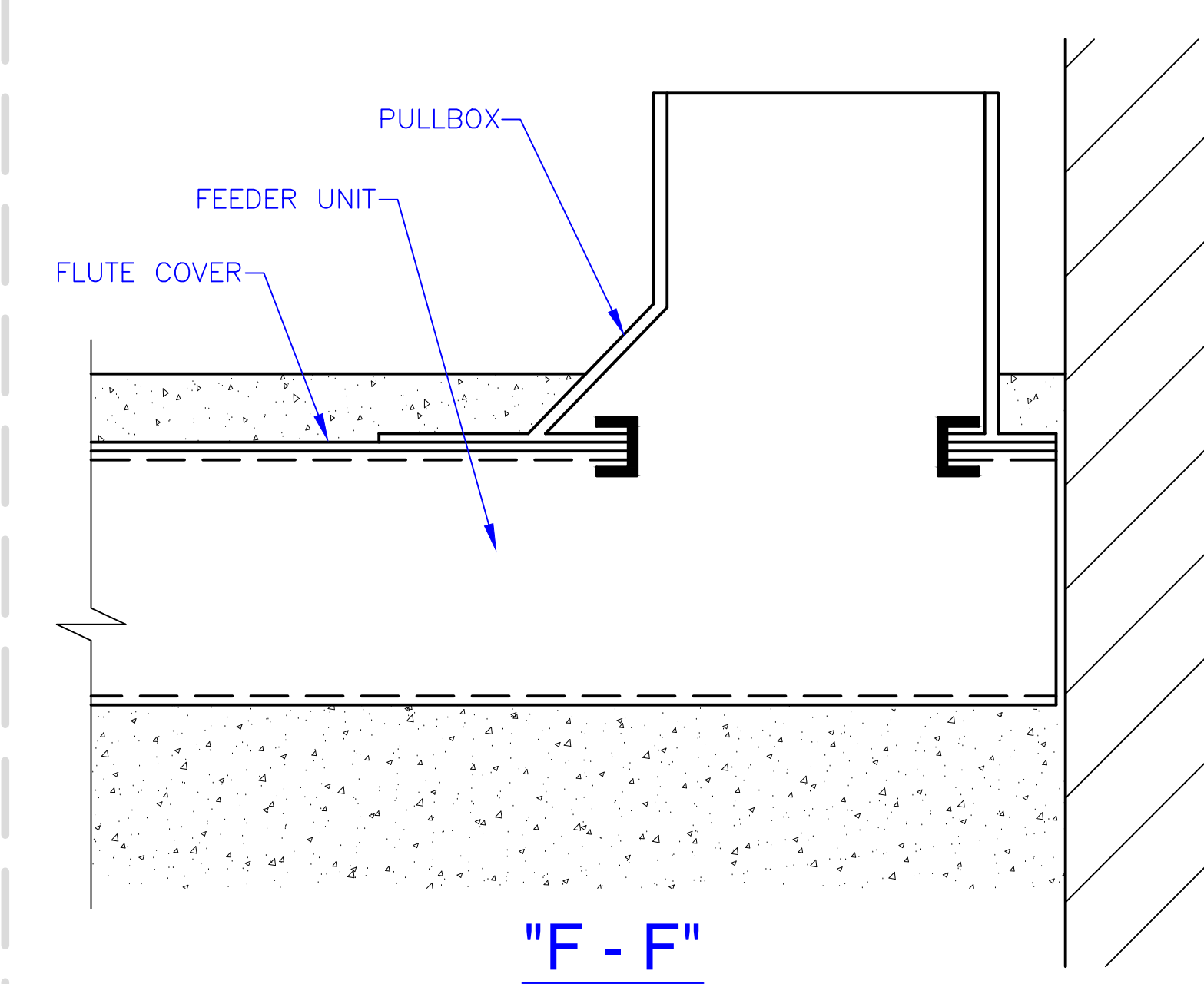
"B - B"



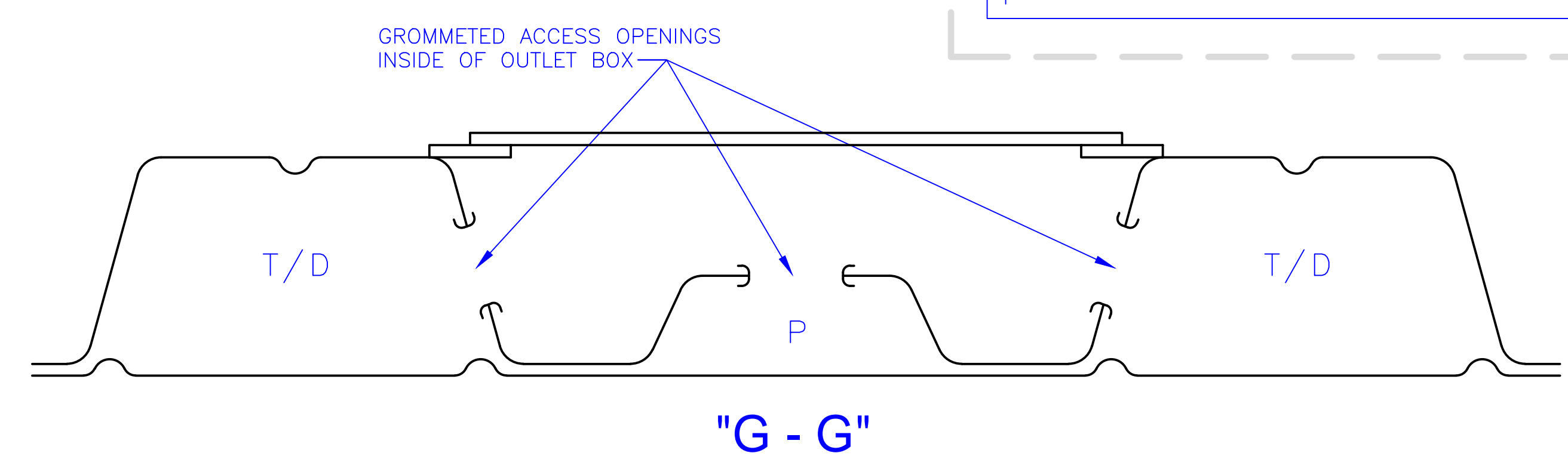
QL-GKX24 (DETAILING DIMENSIONS)



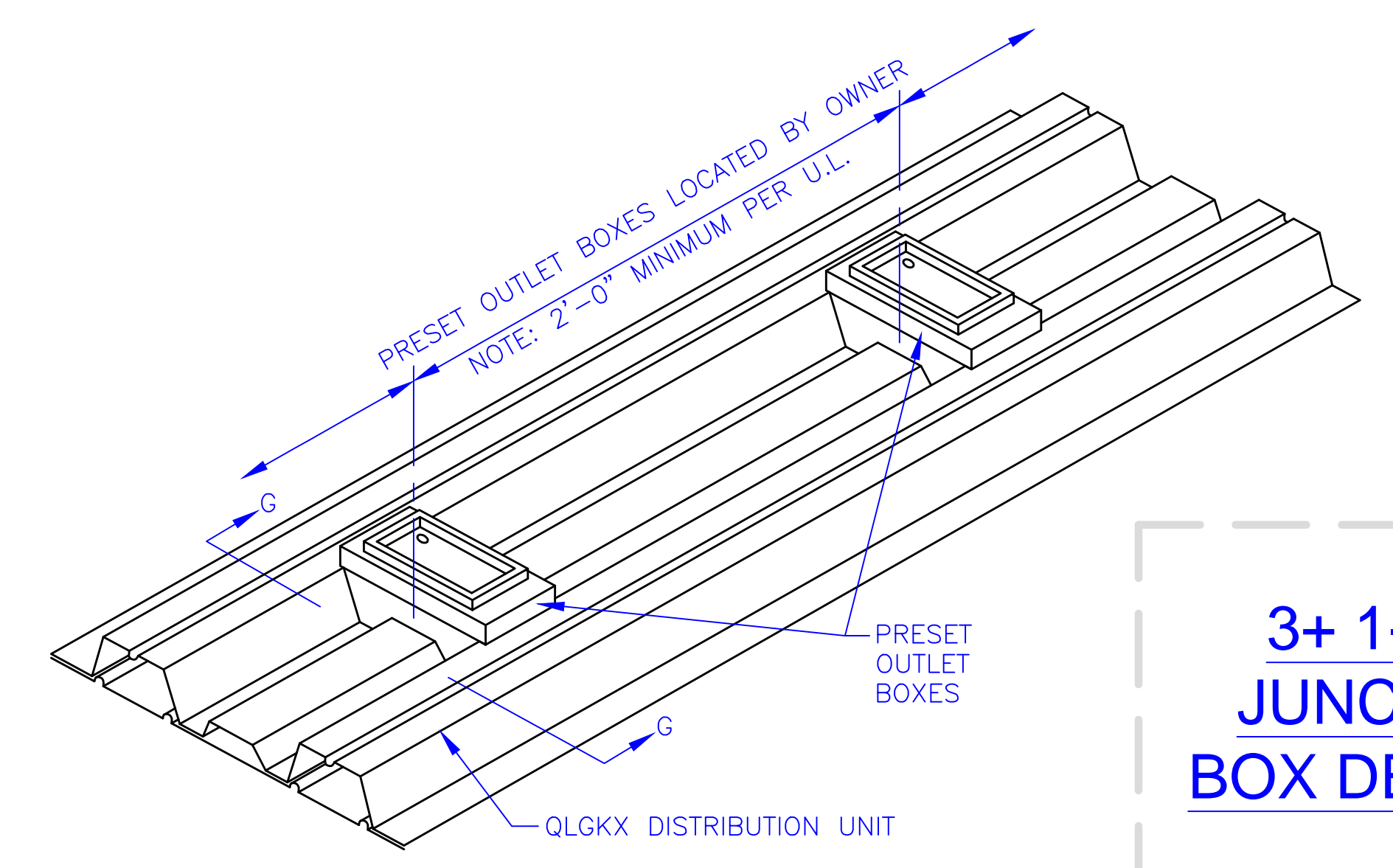
"E - E"



"F - F"



"G - G"



3+ 1-1/4" JUNCTION BOX DETAILS

NOTES:
Junction boxes are fabricated with integral leveling screws for the purpose of adjusting the factory assembled cover assemblies to be level with the top of the poured concrete.
Leveling of the cover assemblies must be accomplished prior to concrete fill being poured.

ISSUED		DATE	BY
REVISION			
CENTRIA			
H.H. Robertson Floor Systems 450 19th STREET AMBRIDGE, PA 15003			
Architect		Contractor	
Owner		Building	
Hr./Elev.	Junction Box Details	Location	
Date		Drawn By	
Scale		Checked By	
Product		Drawing Number	JB1
WO		SHEET	1 of 1