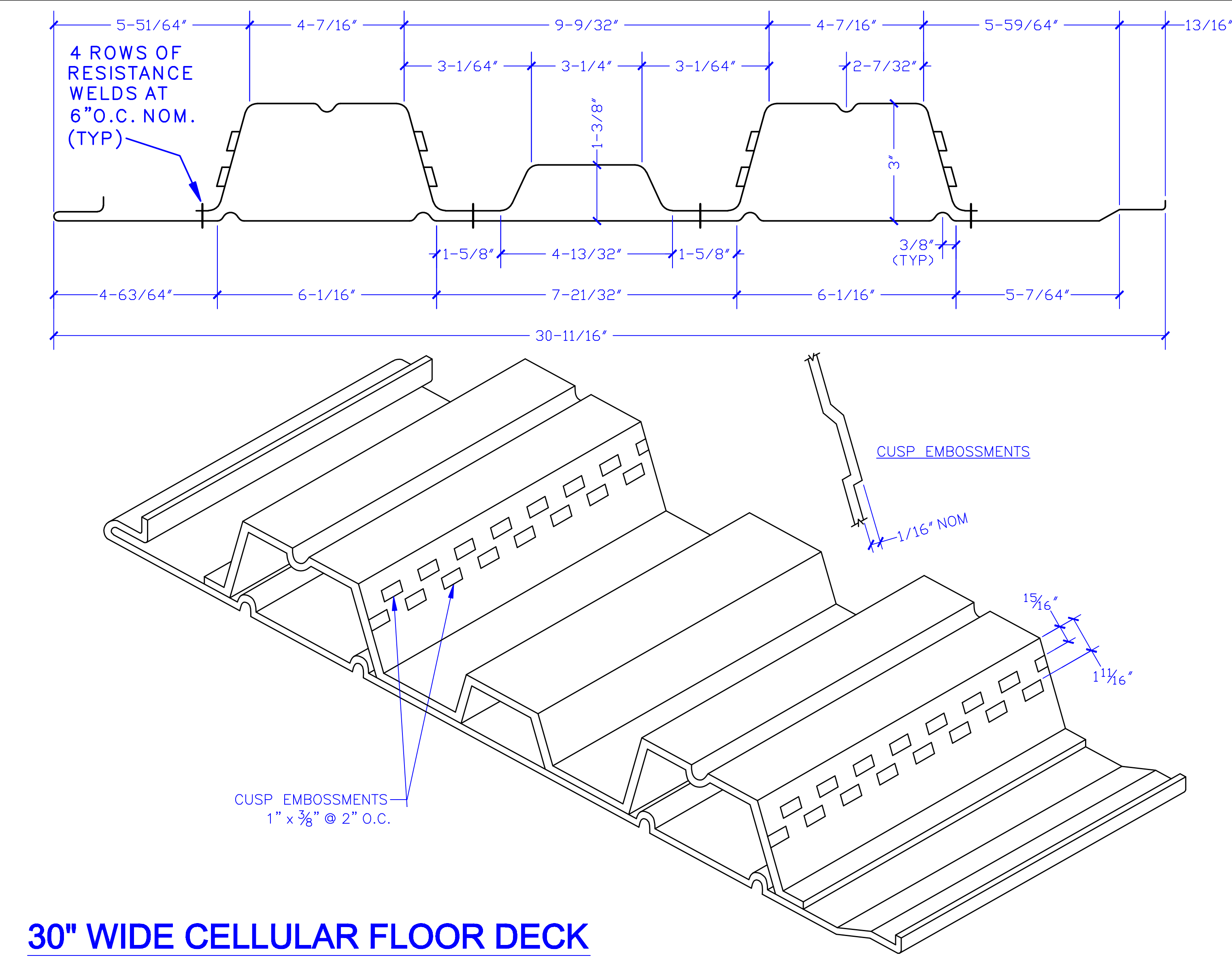
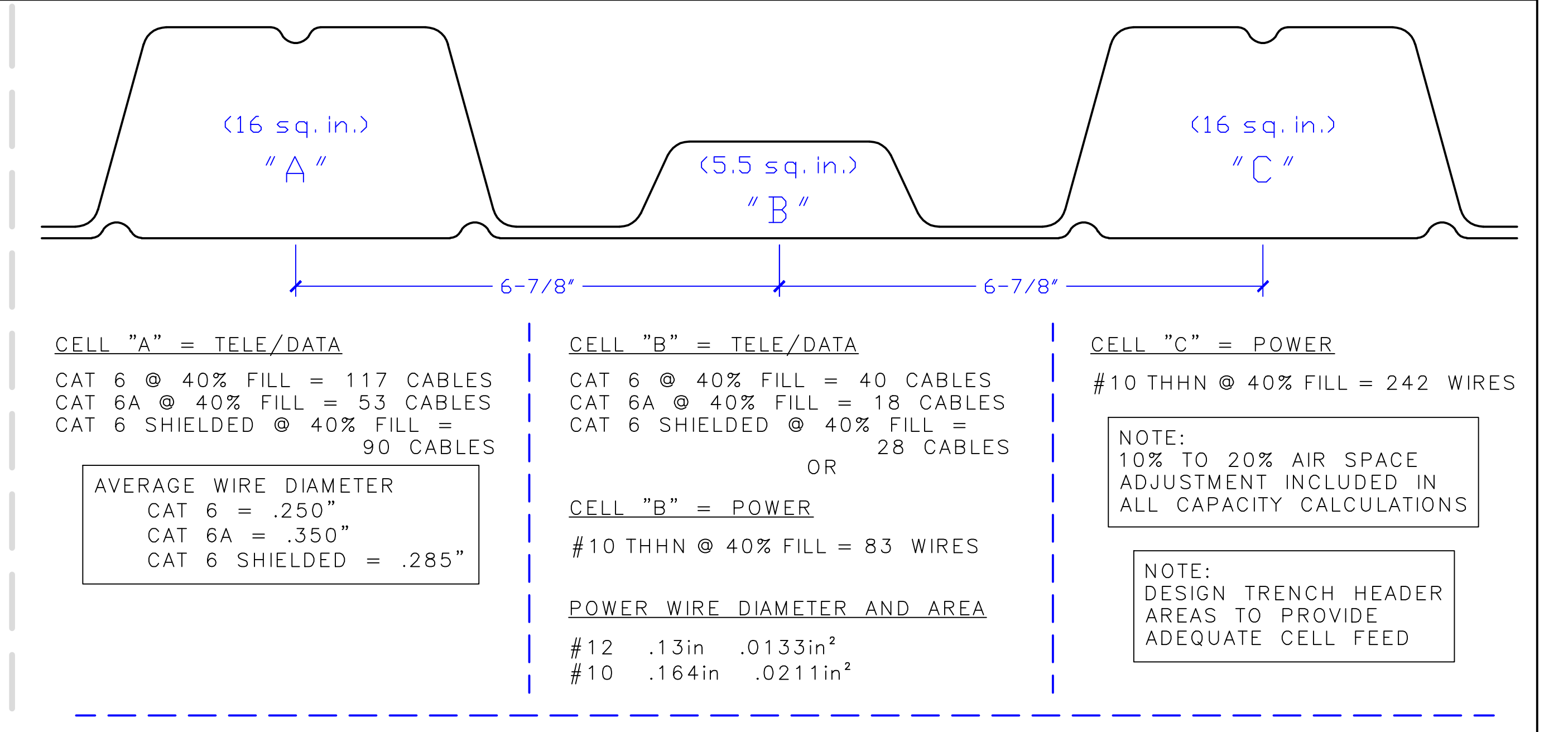


**24" WIDE CELLULAR FLOOR DECK**



**30" WIDE CELLULAR FLOOR DECK**

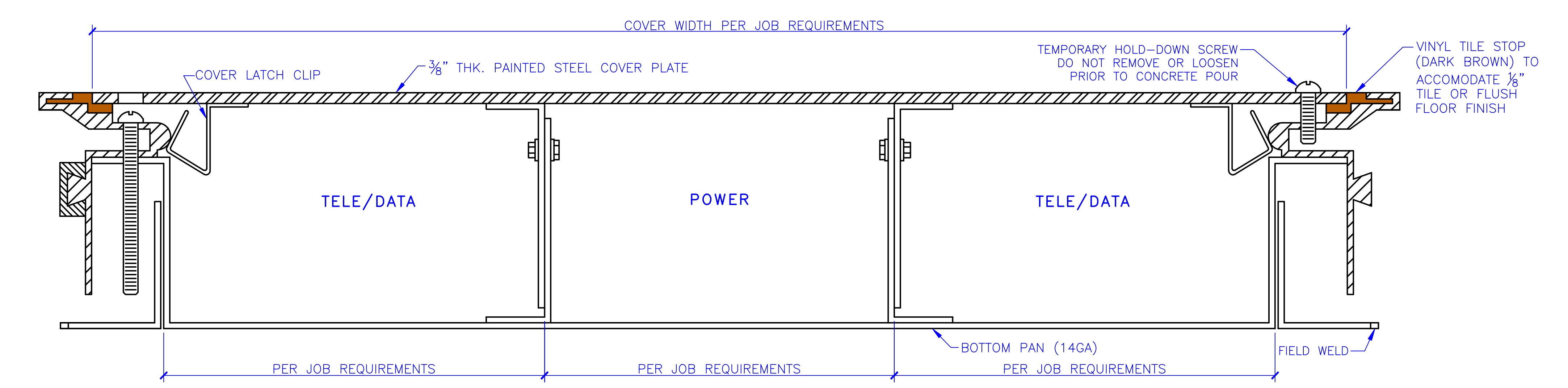


EXAMPLE OF TRENCH HEADER WIRE AND CABLE FILLS

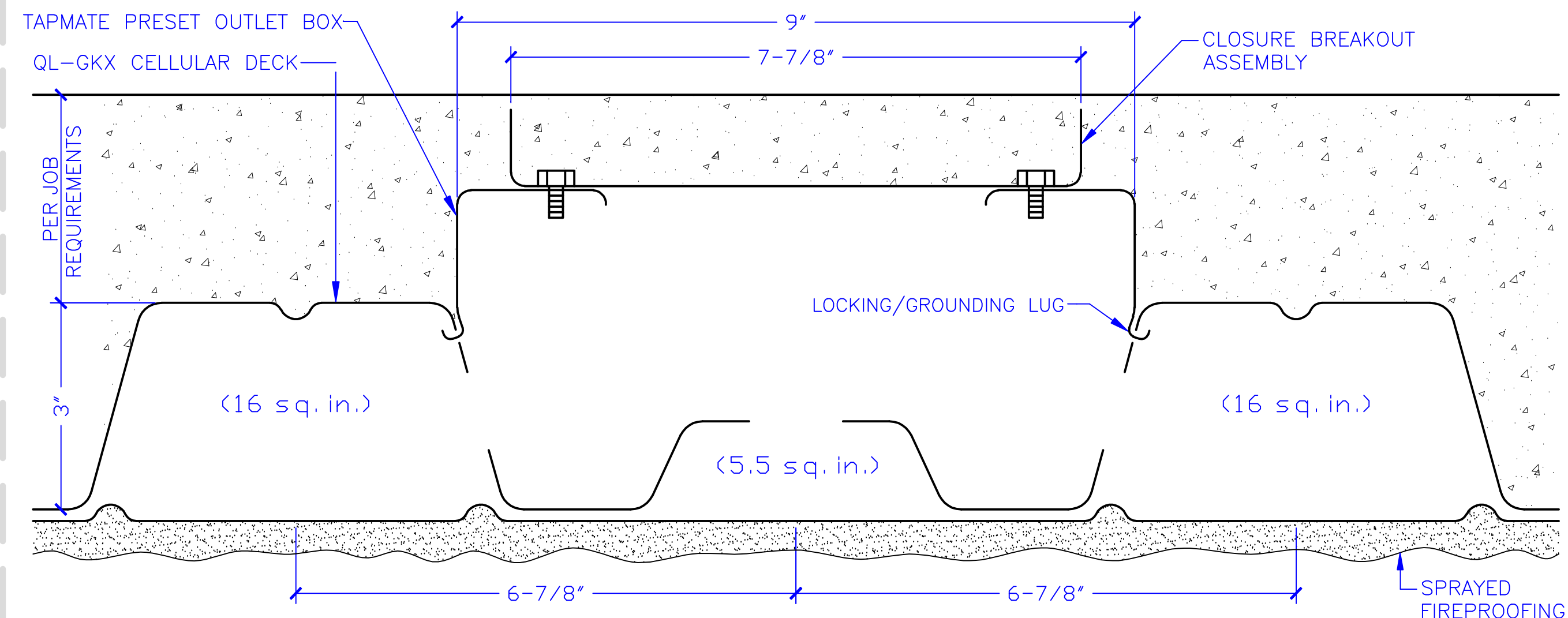
TRENCH HEADER WIDTH	POWER COMPARTMENT WIDTH & WIRE FILL	TELE/DATA COMPARTMENT WIDTH & CABLE FILL
24"	8" (25B - #10 WIRES)	14 1/4" (197 - CAT 6 CABLES) (101 - CAT 6A CABLES) (152 - CAT 6 SHIELDED)
30"	12" (387 - #10 WIRES)	16 1/4" (225 - CAT 6 CABLES) (115 - CAT 6A CABLES) (173 - CAT 6 SHIELDED)
36"	14" (451 - #10 WIRES)	20 1/4" (280 - CAT 6 CABLES) (144 - CAT 6A CABLES) (216 - CAT 6 SHIELDED)

NOTES:  
 NET DEPTH FOR 2 1/2" FILL = 2 1/2" WITH 3/8" COVER PLATE USED \*MAXIMUM 40% FILL FOR BOTH POWER & TELE/DATA USED \*20% FREE AIR SPACE IN THIS EXAMPLE  
 POWER & TELE/DATA COMPARTMENTS CAN VARY FOR OTHER WIRE & CABLE FILL

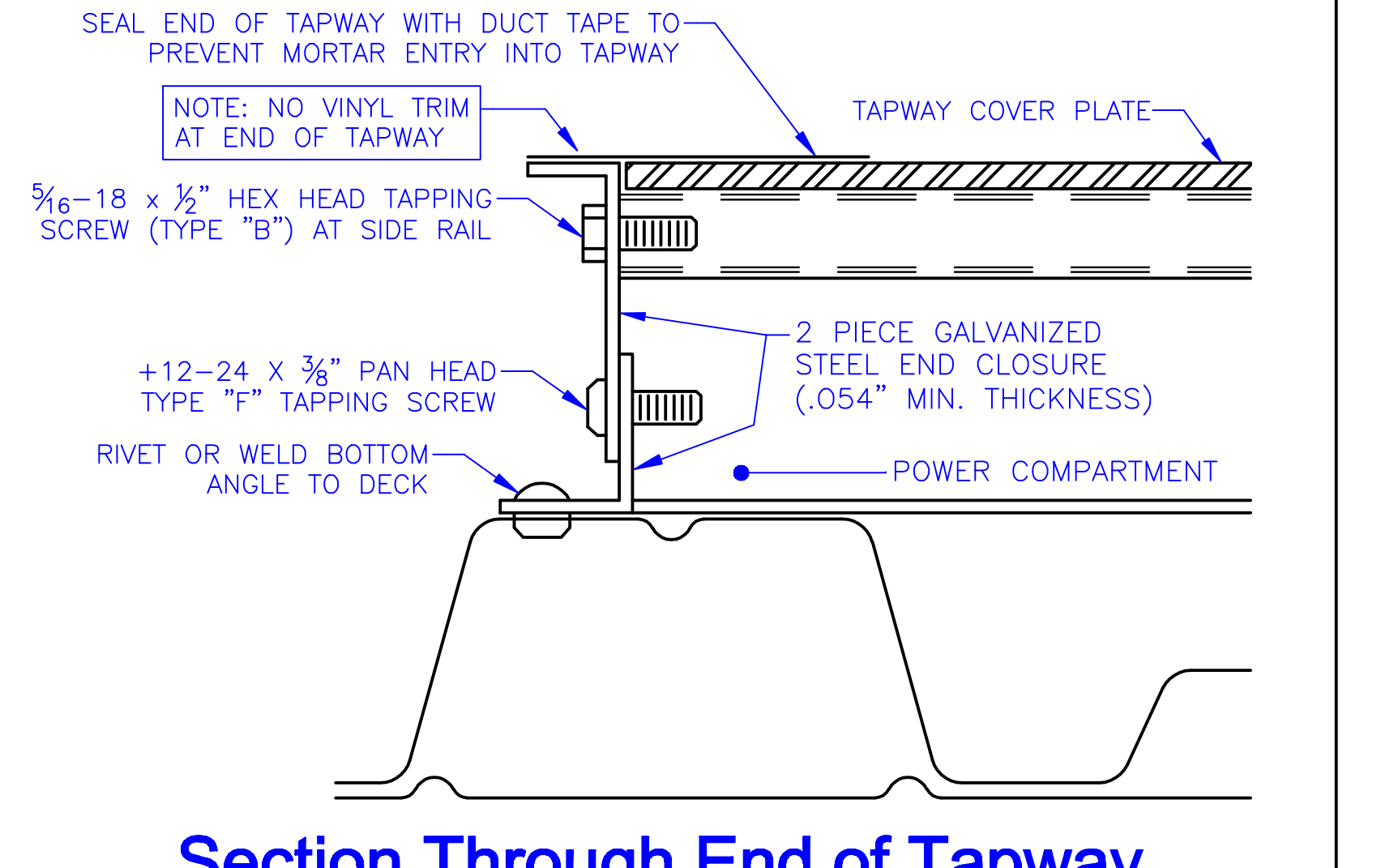
**H.H. Robertson Cell Capacity**



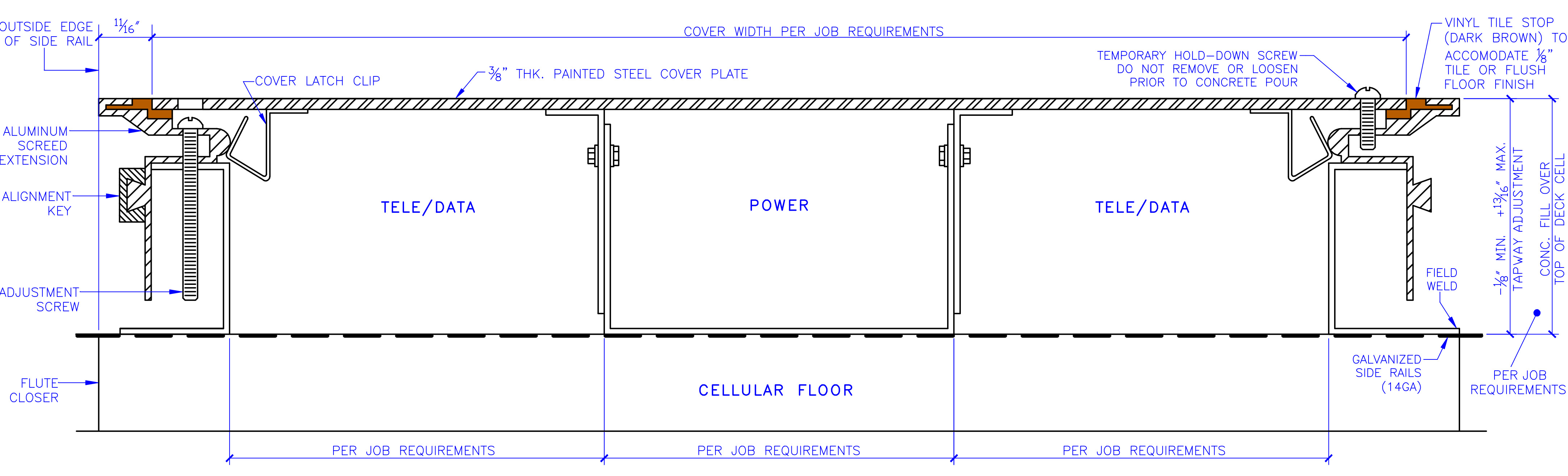
**FULL BOTTOM (Q/T) TAPWAY CROSS SECTION**



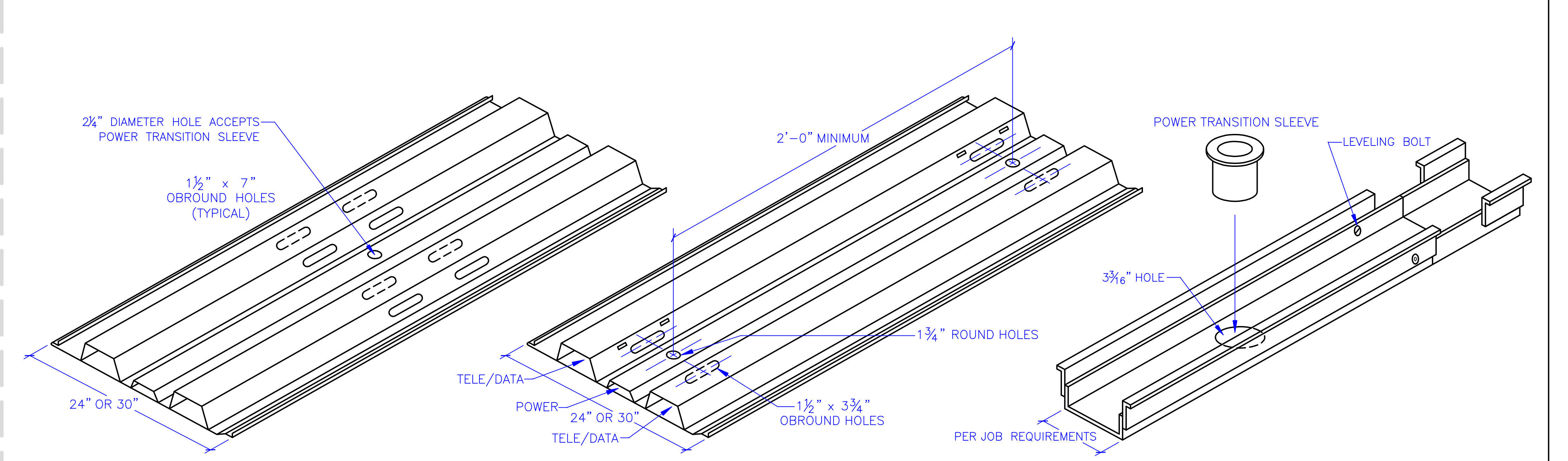
**Tapmate IV Outlet - Before Activation (Section thru QL-GKX)**



**Section Through End of Tapway (With Field Attached End Closure)**



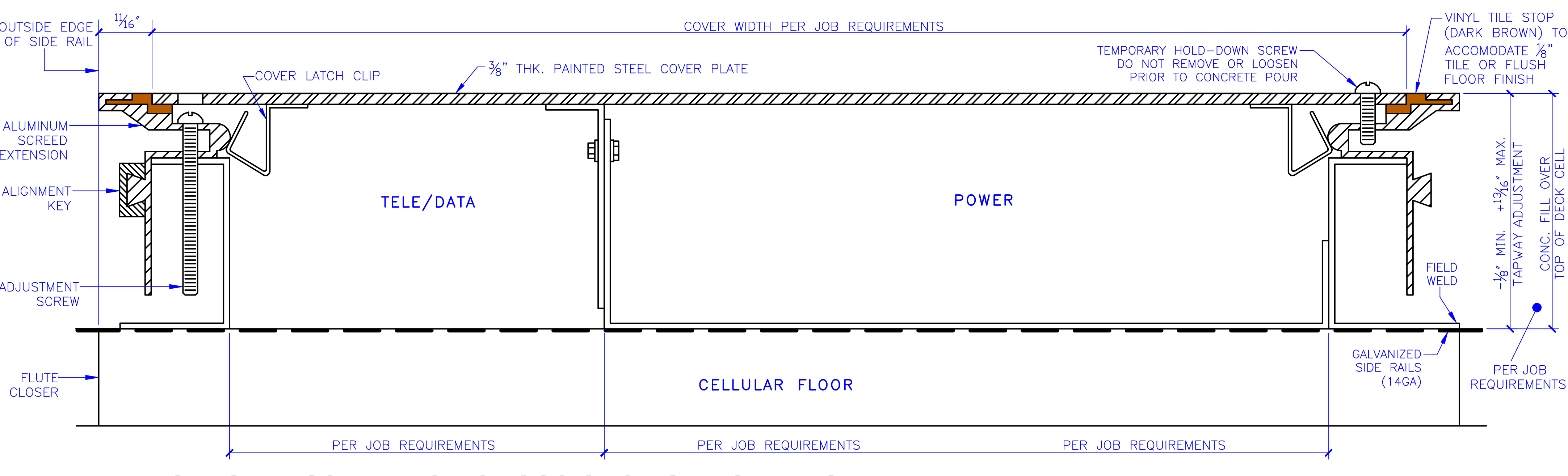
**BOTTOMLESS (Q/TD) TAPWAY CROSS SECTION**



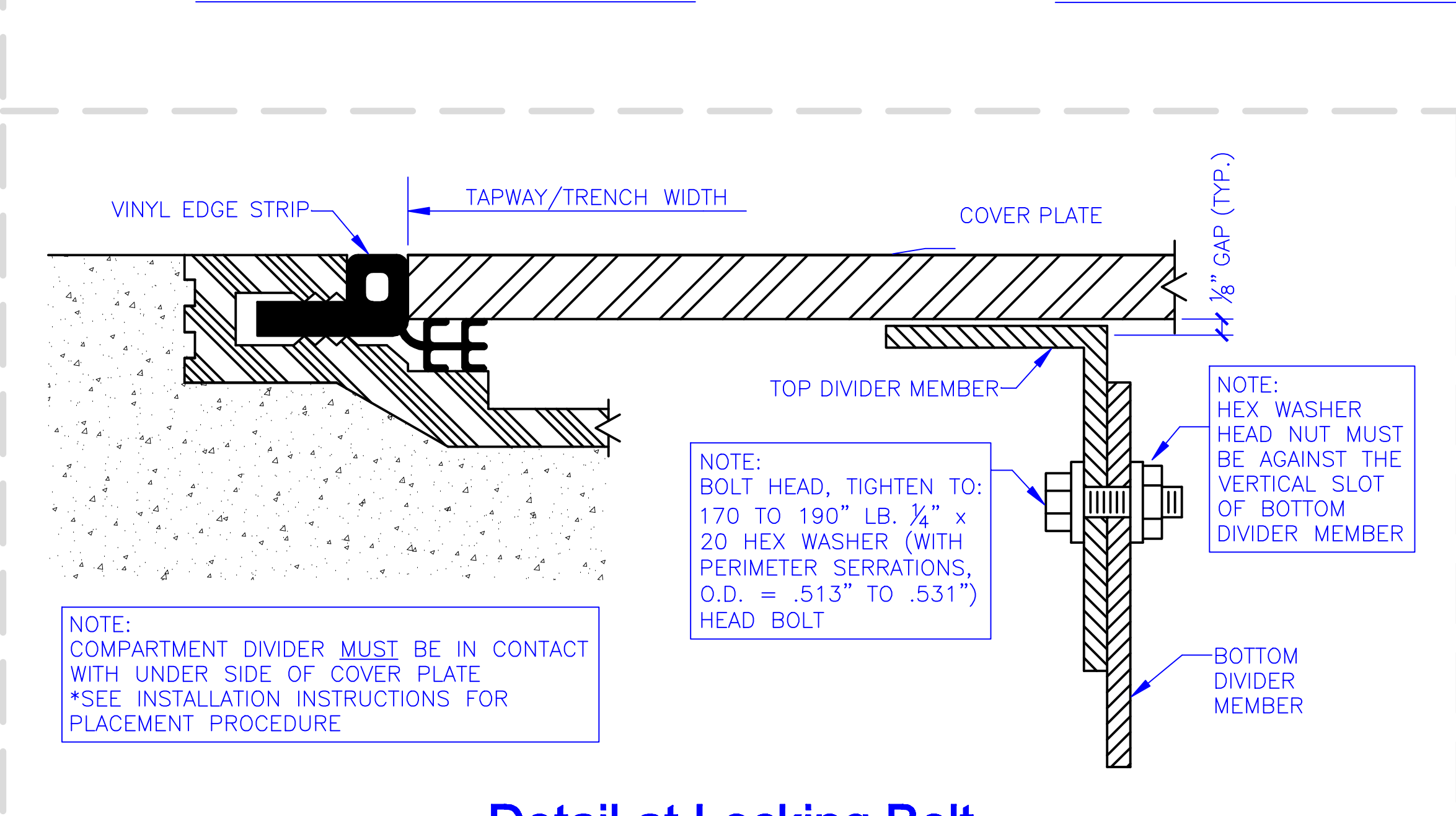
**Factory Punched Trench Header Access Holes**

**Factory Punched Access Holes for the Preset Outlet Boxes**

**Trench Header Power Compartment**



**TAPWAY BOTTOMLESS TRENCH CROSS SECTION - SIDE POWER**



**Detail at Locking Bolt**

Protection of Trench Header Cover Plates

Heavy equipment, concentrated loads exceeding 1000 pounds, or rolling loads are not permitted on trench header covers during the entire construction phase. Casino trench covers are designed for a maximum point load of 1500 pounds.

Trench covers shall be protected against excessive loads and wheel loads by bridging over all covers with steel plates or heavy plywood supported on each side of the trench by wood or steel runners so that the bridging cannot deflect to a point of contact with the trench cover plates. Trench cover plates shall be protected along the entire length of the trench header if random crossing or heavy loading of the covers is expected.

Protection of the trench cover plates and/or replacement or repair of inadequately protected covers, shall be done at no expense to CENTRIA, H.H. ROBERTSON FLOOR SYSTEMS.

ISSUED	DATE	BY
REVISION		

**CENTRIA**

H.H. Robertson Floor Systems 450 19th STREET AMBRIDGE, PA 15003

Contact: Richard Nicolero  
 Position: National Sales Manager for Casinos  
 Office Phone: 908-464-4013  
 Call Phone: 908-377-6642  
 Fax: 908-464-4047  
 Email: RNicolero@centria.com